

Pristina Senographe Accessory Storage Wall Mount Rack AA - Mam WS1

Pre-Installation and Installation Manual



Important:

Pre-installation requires a structural engineer

Installation is to be performed by a technical professional



accessoryaccommodations.com

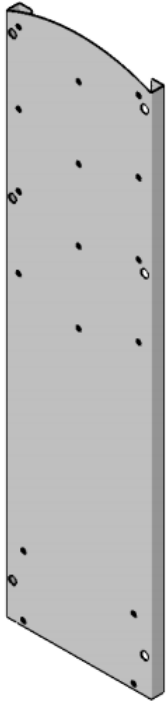
+1 262 879-0896

18165 Coopers Lane

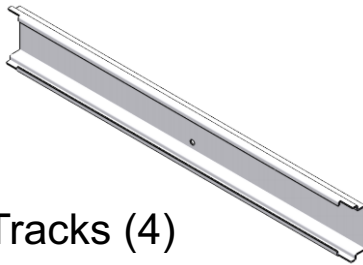
Brookfield, WI USA 53045

Product Information

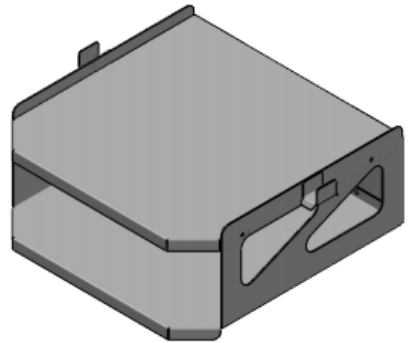
Contents



Wall Plate (1)



Tracks (4)



Tray Set (1)



Screws (16) - for
attaching tracks and tray
set to wall plate

If contents are missing or damaged please contact Accessory Accommodations. +1 262 879-0896 or accessoryaccommodations@aol.com

Specifications

Weight: 5.4 kg/11.9 lbs

Dimensions: (mm) 533L x 439W x 1173H
(in) 21L x 17.2W x 46.2H

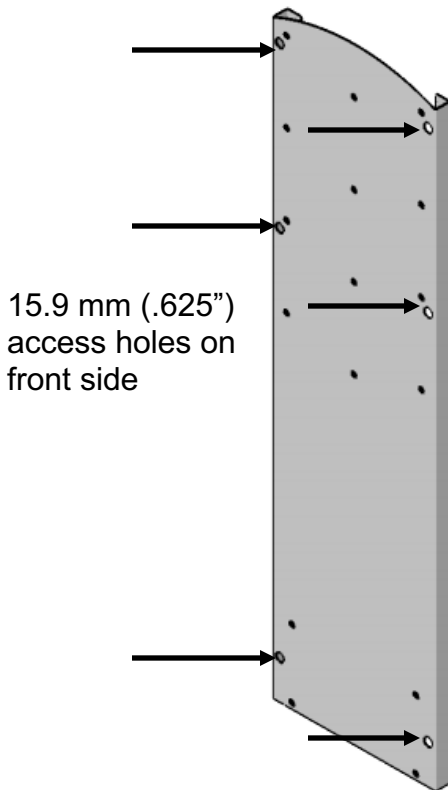
Wall plate mounting instructions

(Hardware not included)

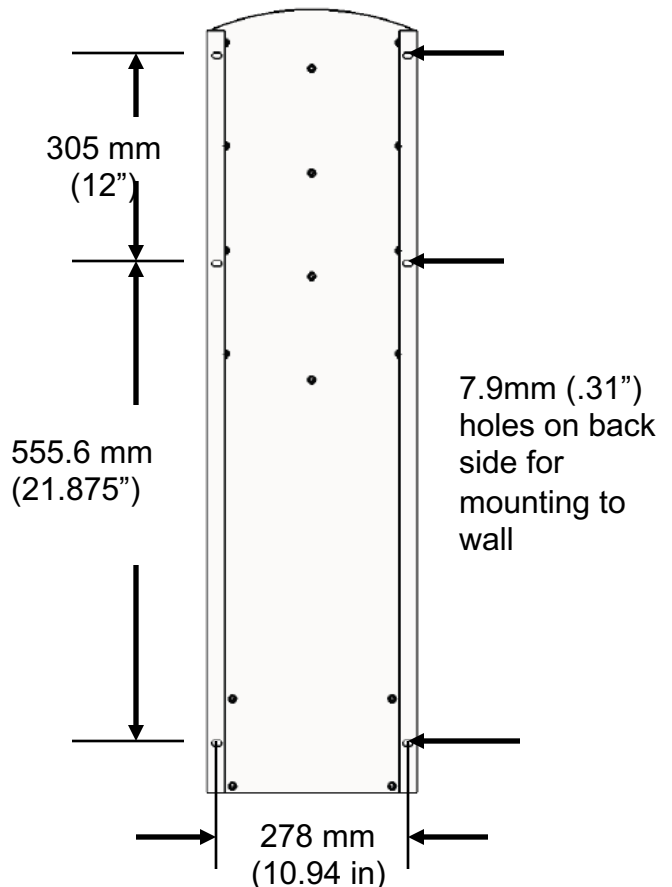
- Select desired location in the room. Determine if there are studs or other backing materials in the wall at this location. If not we recommend using hollow wall anchors.
- Place wall plate against wall in desired location. Make sure plate is level. Recommended height for top of plate is approximately 1730 mm (68”).
- Use (6) access holes on front of wall plate to mark spots on wall. Access holes are the 15.9 mm (.625”) non-threaded holes. Confirm that your measurements match location of holes shown below on back of wall plate drawing.
- Drill holes appropriately sized for your hardware. Use mounting hardware (**not provided**) to attach wall plate to wall using the 7.9 mm (.31”) holes in the back side of the wall plate. Material grade is 5052 H32 aluminum, 1.6 mm (.0625”) thick at fixing hole location.

Structural engineer shall determine anchoring hardware and its tightening torque, and shall design wall bracing and wall structure (if req). Total weight of loaded unit is 20.8 kg (45.8 lbs)

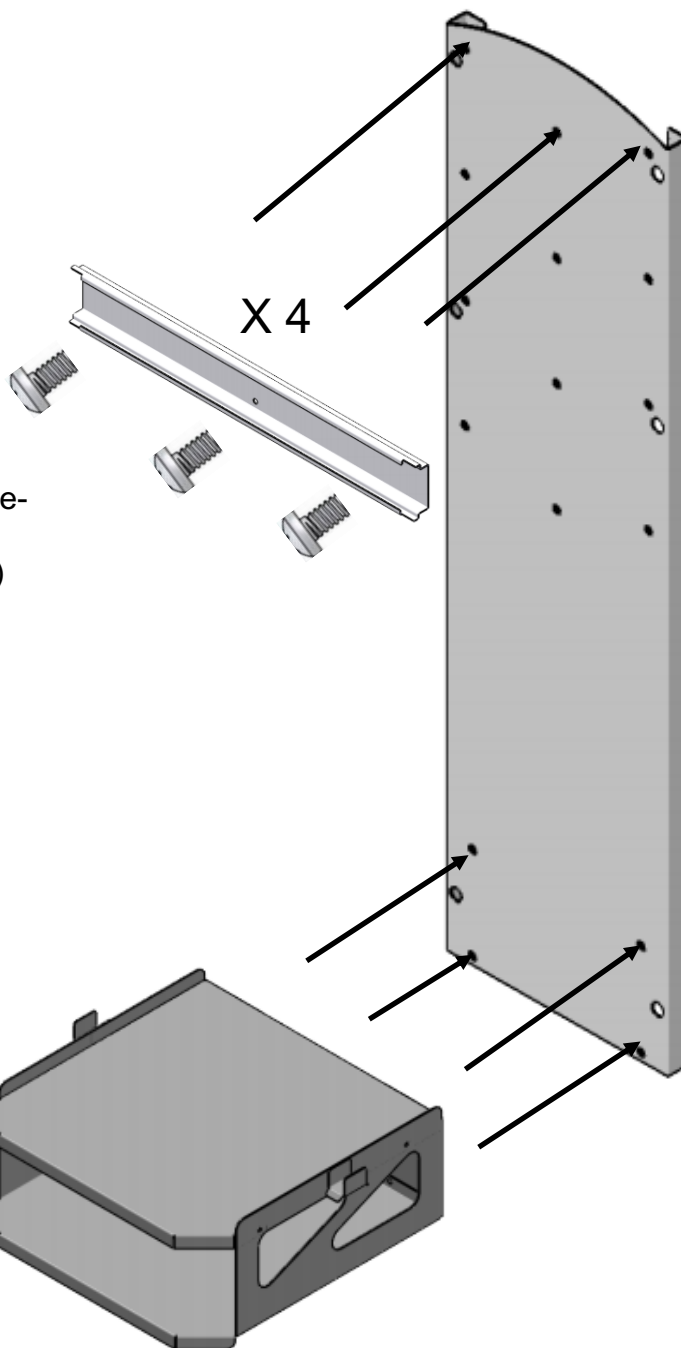
Front of wall plate



Back of wall plate



Attaching tracks and tray assembly to wall plate

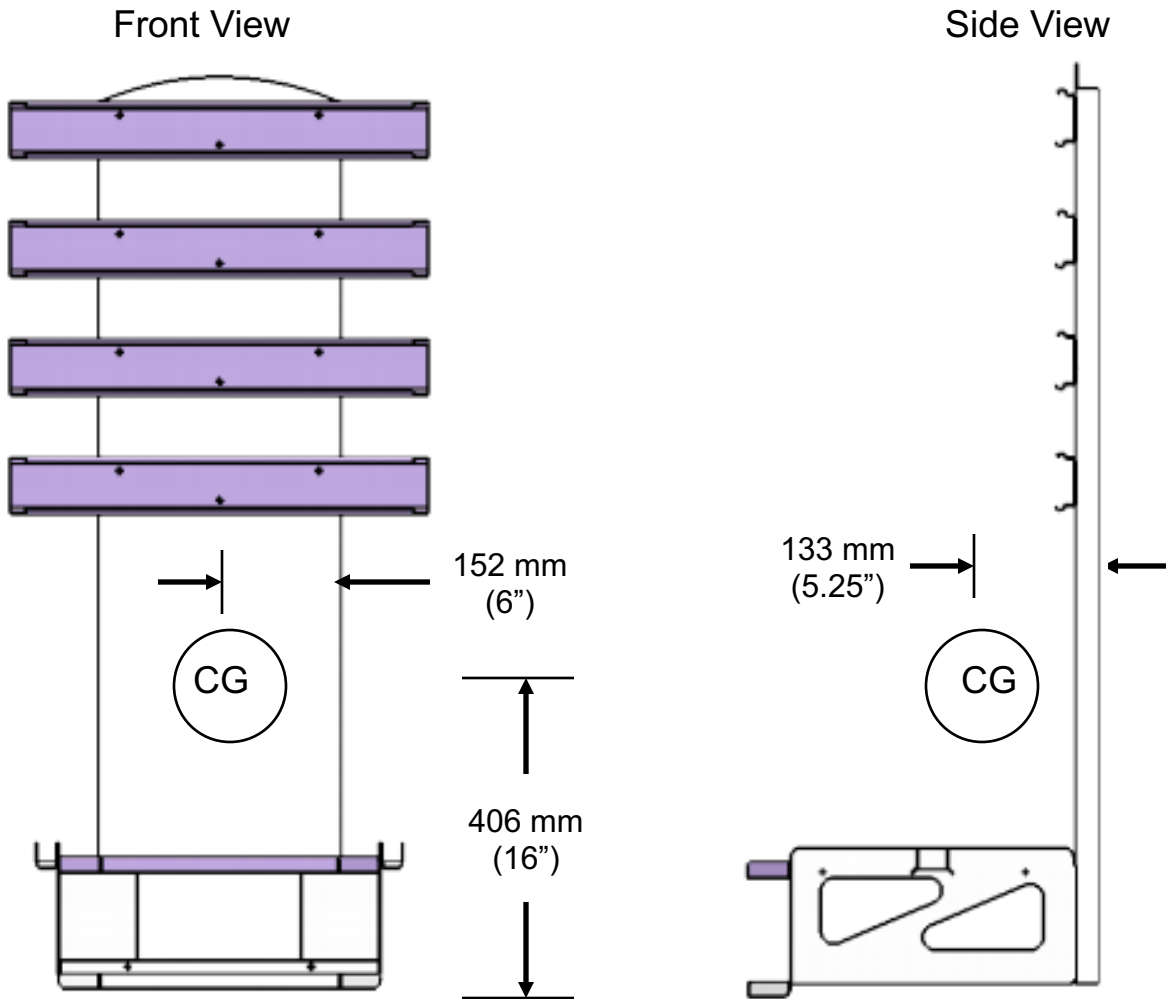


Attach 4 tracks to wall plate using pre-drilled holes and screws provided. Tighten to 4 +/- 1 Nm (35 +/- 10 in lb)

Attach tray set to wall plate using pre-drilled holes and screws provided. Tighten to 4 +/- 1 Nm (35 +/- 10 in lb)

Center of Gravity Location

Weight of fully loaded unit is 20.8 kg/45.8 lbs



End of Installation/Cleaning Instructions

Use CaviWipes or similar surface cleaner and disinfectant. Same cleaner/disinfectant used on mammography system and components may be used on wall stand. Consult your facilities' policies and procedures for specific recommendations.