

Pristina Senographe Accessory Storage Storage Cabinet AA - Mam4

Pre-Installation and Installation Manual



Important:

Pre-installation requires a structural engineer

Installation is to be performed by a technical professional

Product Information

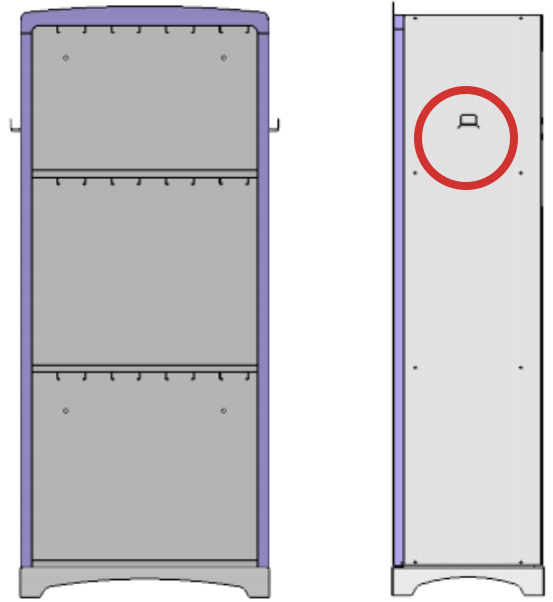
Contents

1 Cabinet

Specifications

Dimensions: in 25.3L x 15.4W x 60.2H
mm 644L x 392W x 1531

Weight: 57 lbs/25.9 kg



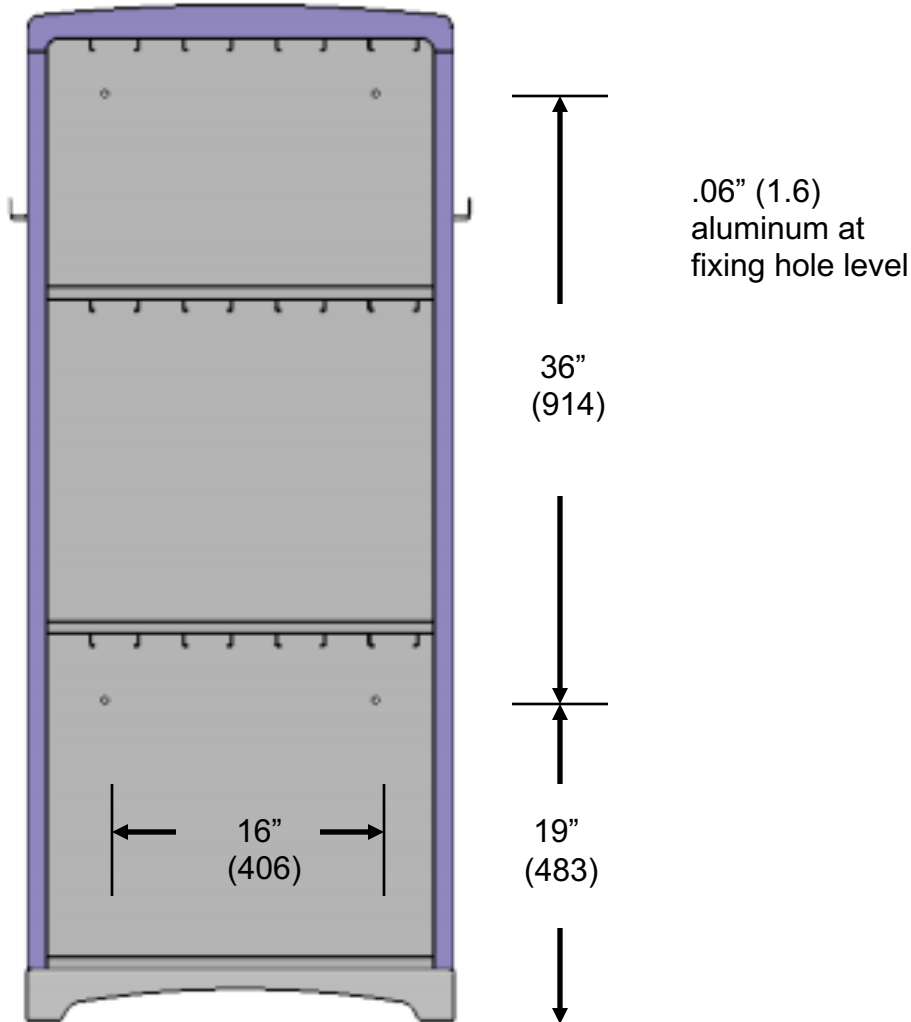
If cabinet is damaged please contact Accessory Accommodations +1
262 879-0896 or accessoryaccommodations@aol.com

**Hooks on sides for mounting face
shield only**

Wall attachment instructions (hardware not included)

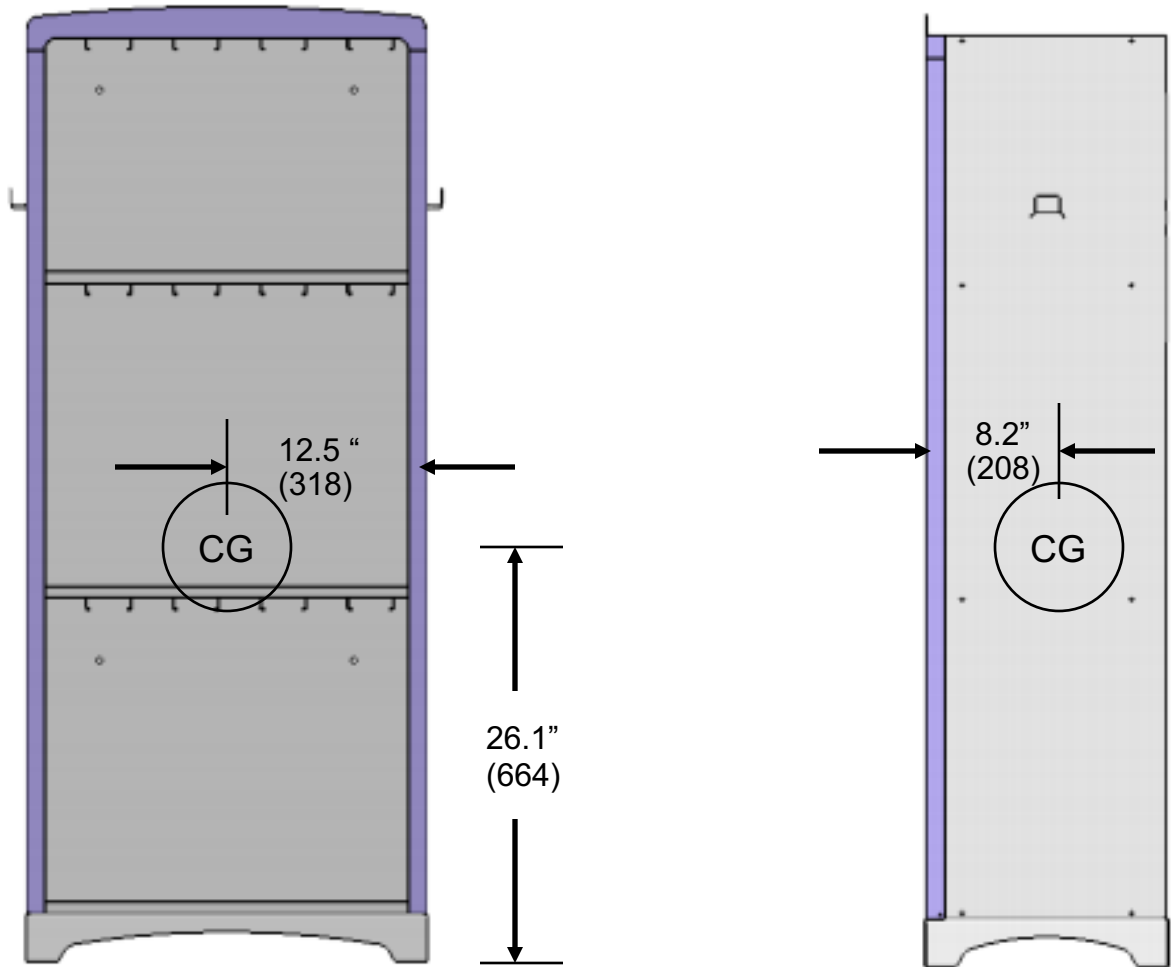
- Select desired location in the room. Determine if there are studs or other backing materials in the wall at this location. If not we recommend using hollow wall anchors.
 - Place cabinet against wall in desired location. Mark spots on wall at hole locations on back of cabinet. Holes are 5/16" (8 mm) diameter and 16" (406 mm) apart. Use either 2 or 4 holes. Confirm that your measurements match location of holes shown on drawing below.
 - Drill holes appropriately sized for your hardware. Use mounting hardware to attach cabinet to wall. Material grade is 5052 H32 aluminum, .0625" (1.6 mm) thick at fixing hole location.
- Note:** Base of cabinet is 3/16" (5 mm) closer to wall than back of cabinet. You may use spacers or leave gap between cabinet and wall.

Structural engineer shall determine anchoring hardware and its' tightening torque, and shall design wall bracing and wall structure (if req). Total weight of loaded cabinet is 107 lbs/48.5 kg.



Center of Gravity Location

Weight of fully loaded cabinet is 107 lbs/48.5 kg



Front View

Side View

End of Installation/Cleaning Instructions

Use CaviWipes or similar surface cleaner and disinfectant. Same cleaner/disinfectant used on mammography system and components may be used on storage cabinet. Consult your facilities' policies and procedures for specific recommendations.